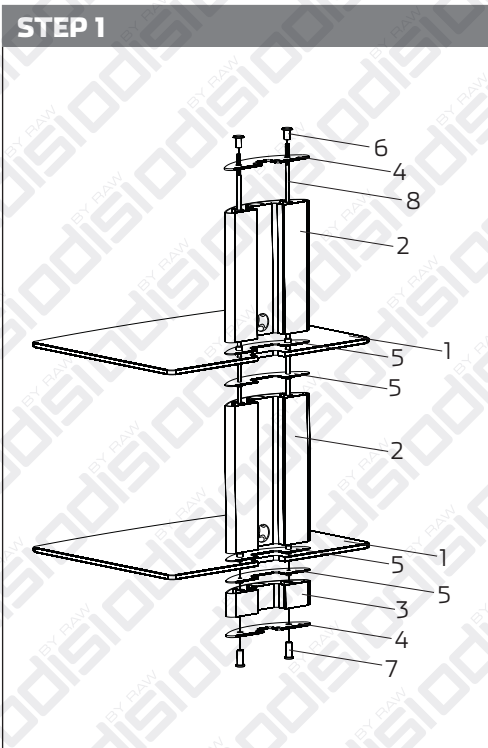


# OSH2 INSTRUCTION MANUAL

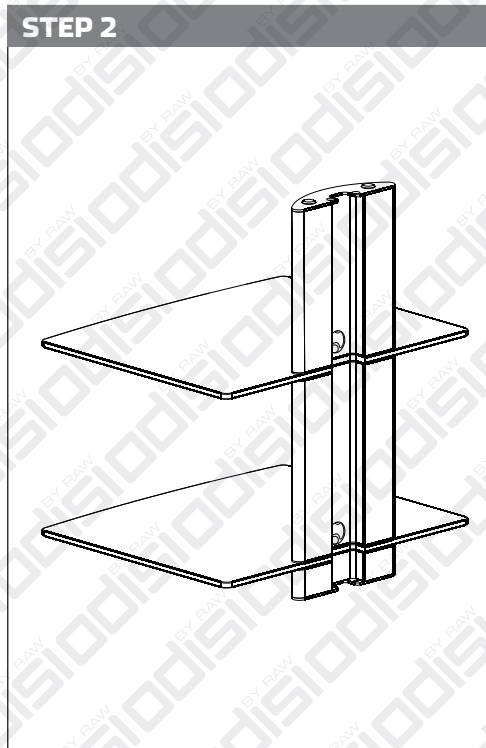
## LIST OF COMPONENTS

No.	Description	Quantity	No.	Description	Quantity
1	Glass Shelf (safety glass)	2	8	Tube Connectors	2
2	Aluminum Support Tube (long)	2	9	Allen Key	1
3	Aluminum Support Tube (short)	1	10	Lag Bolt	4
4	End Cap	2	11	Concrete Anchor	4
5	Plastic Spacer	4	12	Wall Plate	1
6	Tube Connector Screw (top)	2	13	Connection Screw	2
7	Tube Connector Screw (bottom)	2	14	Washer	4

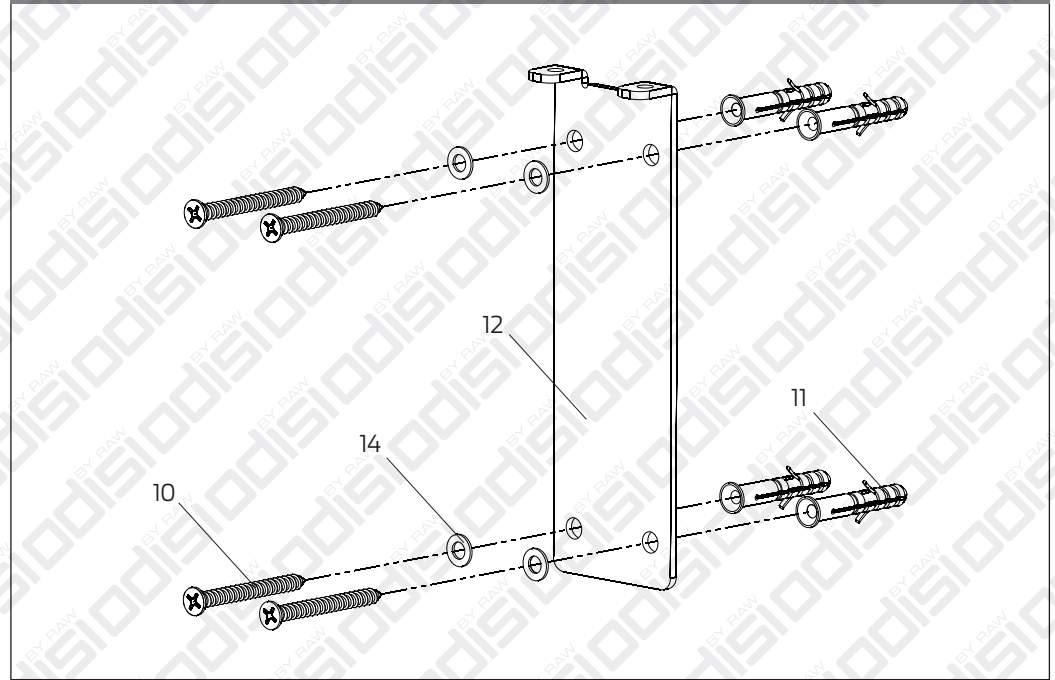
### STEP 1



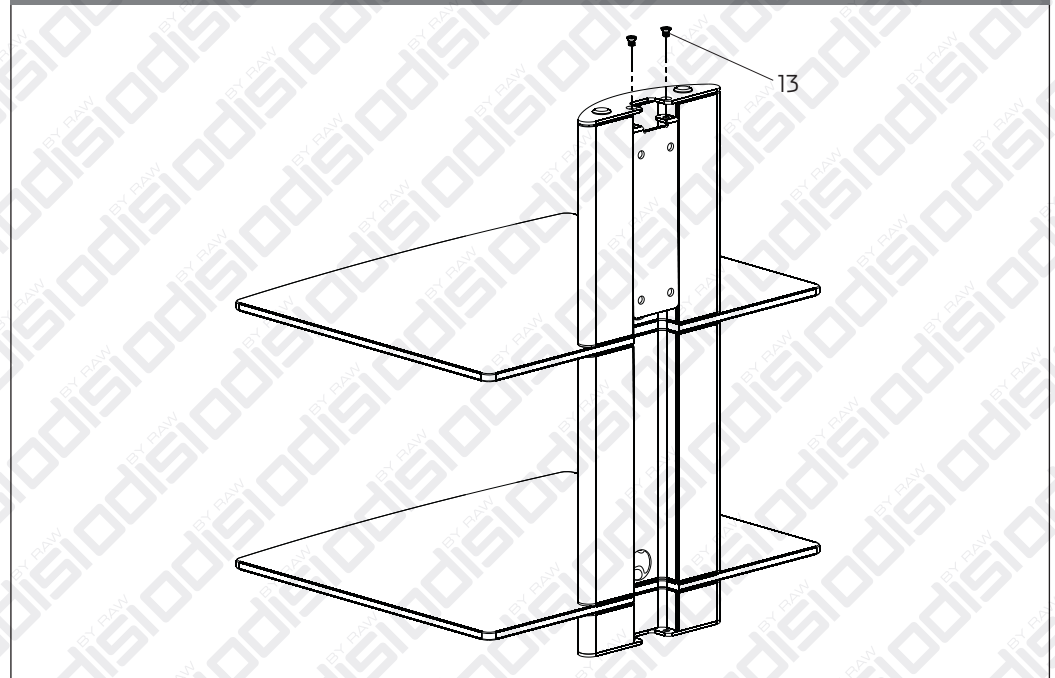
### STEP 2



### STEP 3



### STEP 4



## INSTALLATION (PLEASE READ CAREFULLY)

INSTALLATION OF THIS UNIT SHOULD ONLY BE CARRIED OUT BY QUALIFIED TECHNICIANS. INSTALL IN AN APPROPRIATE LOCATION ONLY AFTER CHECKING WALL STRUCTURE AND DURABILITY FOR ACCIDENT PREVENTION. CONSULT A QUALIFIED BUILDER IF IN ANY DOUBT AS TO STRUCTURAL INTEGRITY OF WALL.