

OVF2 - INSTRUCTION MANUAL

TOOLS REQUIRED

- Phillips Head Screw Driver
- Electric or Portable Drill
- Stud Finder and 1/8" Drill Bit for Drywall Installation
- 5/16" Masonry Bit for Concrete Installation

HARDWARE INCLUDED

- | | |
|----------------------|------------------------|
| (A) Drywall Screw x4 | (B) Concrete Anchor x4 |
| (C) M4 x 12 Bolt x6 | (D) M4 x 30 Bolt x4 |
| (E) Spacer x4 | |

PART 1A: INSTALL THE WALL PIECE (DRYWALL)

1. Using a high quality stud finder, locate and mark one stud for installing the wall mount.
2. Place the wall piece against the wall over the center of the marked stud and make sure it is level.
3. Mark off the two holes in the centre of the mount and place the wall piece aside.
4. Drill the marked holes using an electric drill and 1/8" bit.
5. Replace the wall piece against the wall and secure it using two (2) Drywall Screws (A) from the hardware kit **(see fig 1A)**.

PART 1B: INSTALL THE WALL PIECE (CONCRETE)

1. Place the wall piece against the wall in the desired location and make sure it is level.
2. Mark off four holes (one at each corner) for securing the mount and place the wall piece aside.
3. Drill the marked holes using an electric drill and 5/16" masonry bit. Remove any excess dust from the holes after drilling.
4. Insert a Concrete Anchor (B) into each hole. A hammer can be used to lightly tap each anchor into place if necessary.
5. Replace the wall piece against the wall and secure it using four (4) Drywall Screws (A) from the hardware kit (see Diagram 1b).

FIG. 1A

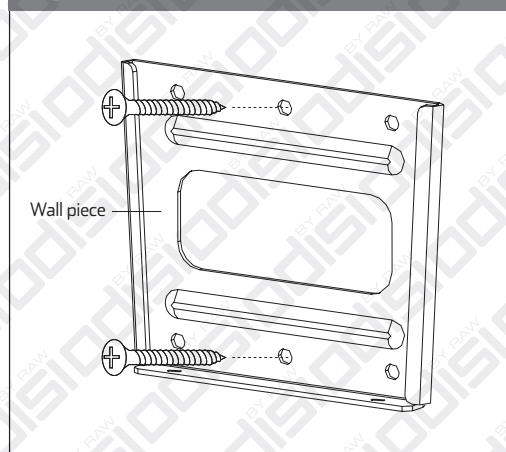
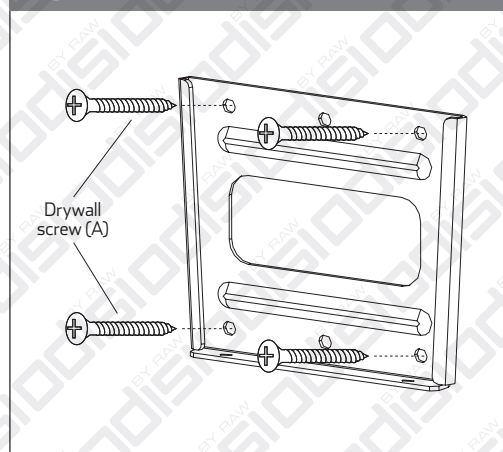


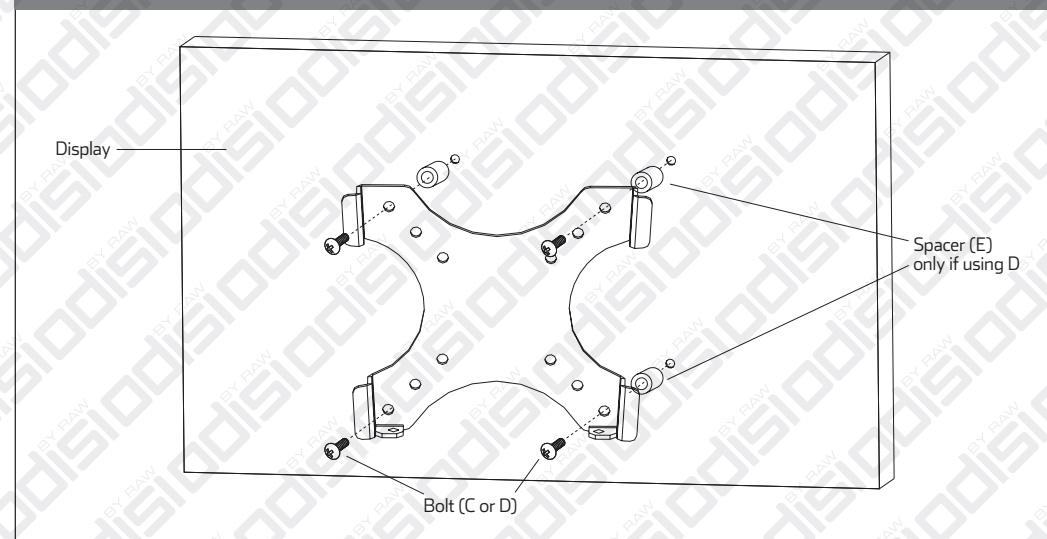
FIG. 1B



PART 2: ATTACH THE MOUNT TO THE DISPLAY

1. Determine which hardware to use by examining the back of your display. If your display has a flat back, you will use the M4 x 12 Bolts (C). If your display has a curved or recessed back, you will use the M4 x 30 Bolts (D) along with the Spacers (E).
2. Attach the mount to the back of your display **(see fig 2)** using the holes that match the pattern on the back of your display.

FIG. 2



PART 3: FINAL INSTALLATION AND OPERATION

1. Slide the mount with your LCD attached into the wall piece **(see fig 3A)**.
2. For additional security, use the two (2) M4 x 8 Bolts (F) to hold the two plates together **(see fig 3B)**.

FIG. 3A

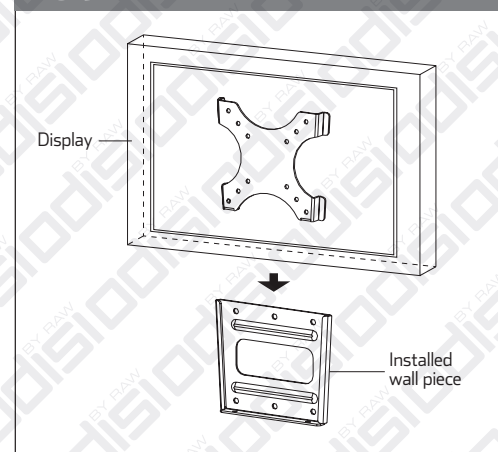


FIG. 3B

