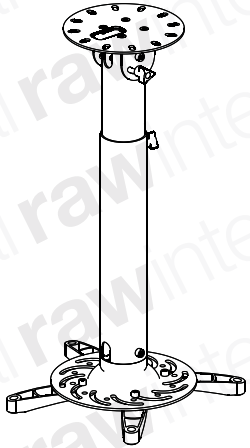


# PM2 INSTRUCTION MANUAL



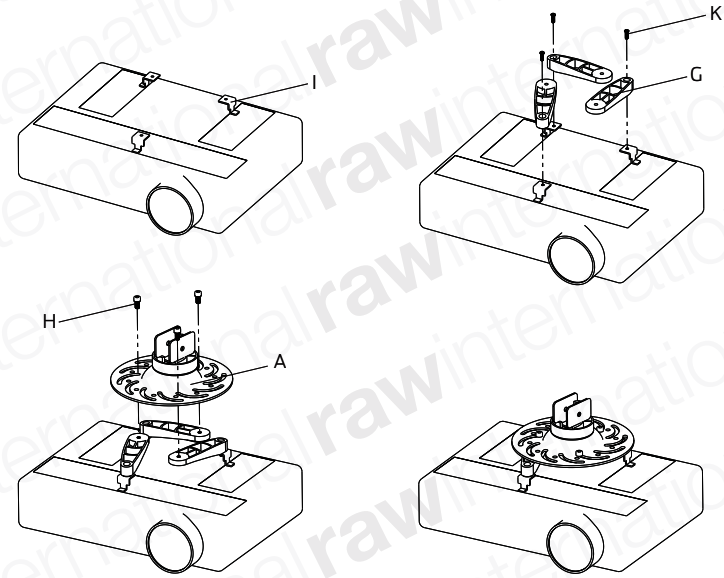
## List of components

(A) Projector Mount Plate x 1	(B) Ceiling Plate x 1
(C) Extension Tube Set x 1	(D) Knob x 3
(E) Large Bolt x 2	(F) Nut x 2
(G) Aluminum Feet x 4	(H) M6x17 Hex Head Bolt x 4
(I) Hardware 1 x 4	(J) Hardware 2 x 4
(K) M5x14 Bolt x 4	(L) M5 Washer x 4
(M) Concrete Anchor x 3	(N) Lag Bolt x 3
(O) M4x12 Bolt x 4	(P) M4x18 Bolt x 4
(Q) M3x12 Bolt x 4	(R) M3x16 Bolt x 4
(S) M4 Washer x 4	(T) M3 Washer x 4
(U) Allen Key x 1	(V) M3/M4 Spacer x 4

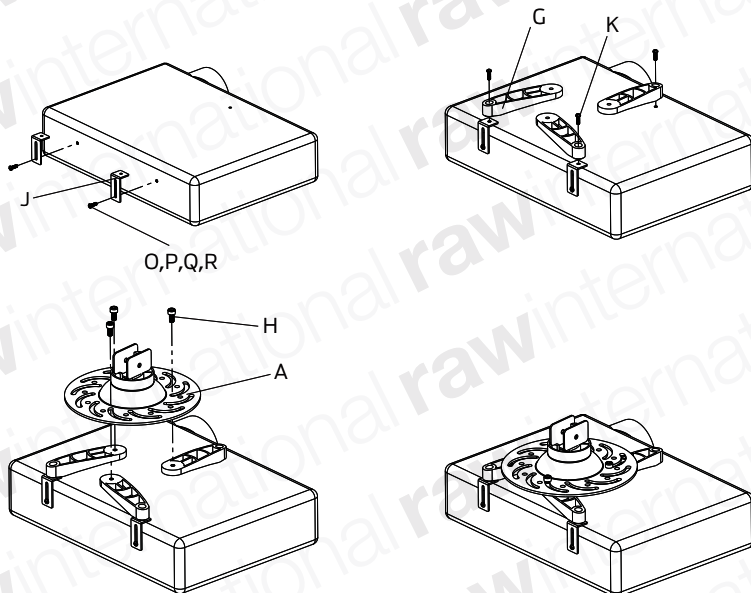
## Tools Required

- 3.8mm Drill Bit
- 8mm Masonry Bit
- Phillips Screwdriver

## FEET INSTALLATION OPTION 2



## FEET INSTALLATION OPTION 1



## MORE INSTALLATION INSTRUCTIONS

